



Jesus commanded the people not to tell anyone about what He had done. But they did! People were overwhelmed with amazement.

Write the letter missing from each set on the line.

They said,

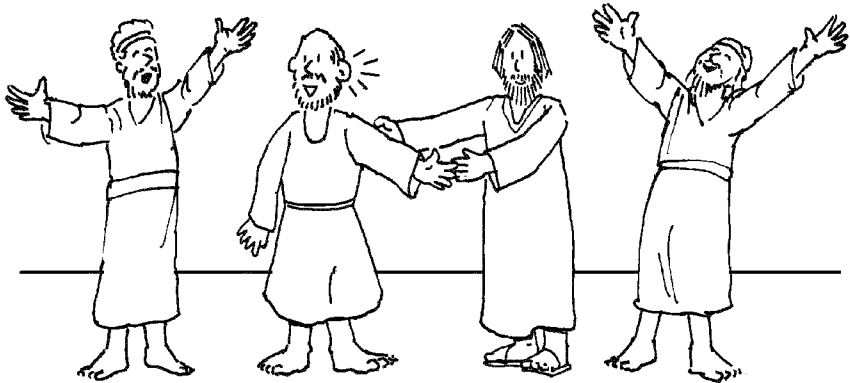
“He has everything .”

CEF MNP LMO CDF UVX DFG JKM KMN

He even makes the and the

FGI CDF ZBC QST

LNO STV RSU DFG QRT NOQ CDF YZB IJL”



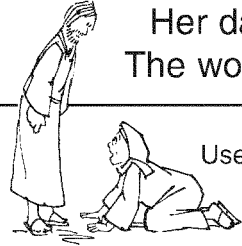
Ages 7+

September 8, 2024 • Mark 7:24-37

Faith and Healing

A woman fell at Jesus' feet.

Her daughter was possessed by an evil spirit. The woman begged Jesus to heal her daughter.



Use the puzzle below to find out what happened next. Cross out the first letter and every other letter after. (We have done the first 2 for you.) Then copy the remaining letters to the lines below and read the rest of the story.

~~A~~SphmenbkentiserveydbtwhmaptnJbecsdufskcporu
 wlcdivhteslwpbhzekrnSghqeqhrawddfcabintwhpJyeds
 kujsqsbacwdhfegrhfjakiltmhnapanqdrstevnwtytzhcebd
 wermjoknhowuttqocfdhbezrqlyirtbtdlfejjqiwrml.

S h _____



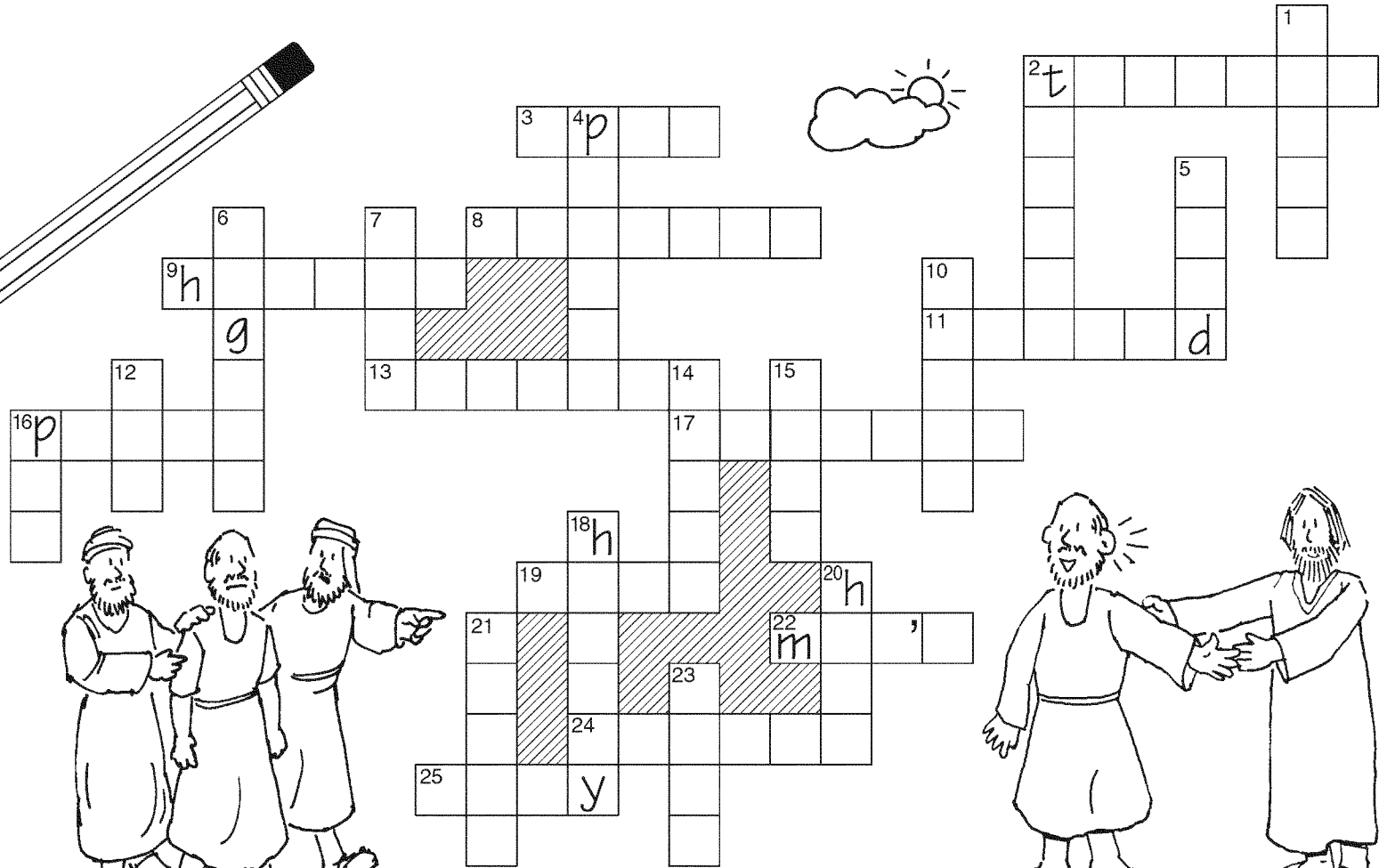
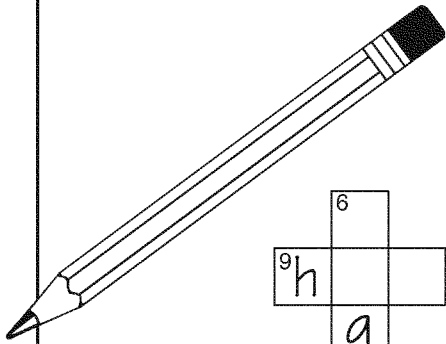
Trinity Lone Oak Lutheran
 2950 Highway 55
 Eagan MN 55121 | 651-454-7255
 trinityloneoak.org

Enter your **SECRET CODE** to unlock games @ **games.childrensbulletins.com**

SECRET CODE
MRKS67

Fit the words in the puzzle. Transfer the letters to the story.

- | | |
|-------|---------|
| man | crowd |
| put | speak |
| deaf | people |
| talk | hardly |
| hand | begged |
| took | tongue |
| away | looked |
| man's | heaven |
| ears | opened |
| spit | brought |
| said | fingers |
| Jesus | plainly |
| could | touched |
| place | |



Some 4) _____ 8) _____ a 12) _____ to 1) _____ who was 7) _____ and 10) _____
 18) _____ 19) _____. They 6) _____ Him to 16A) _____ His 20) _____ on the 12) _____.
 He 23) _____ the 12) _____ 25) _____ from the 21) _____ and 16D) _____ His 13) _____ into the
 22) _____ ' 15) _____. Then He 3) _____ and 2A) _____ the 22) _____ ' 2D) _____.
 He 24) _____ to 9) _____ and 5) _____, "Be 11) _____!" The 22) _____ ' 15) _____ were
 11) _____ and he 10) _____ 14) _____ 17) _____.